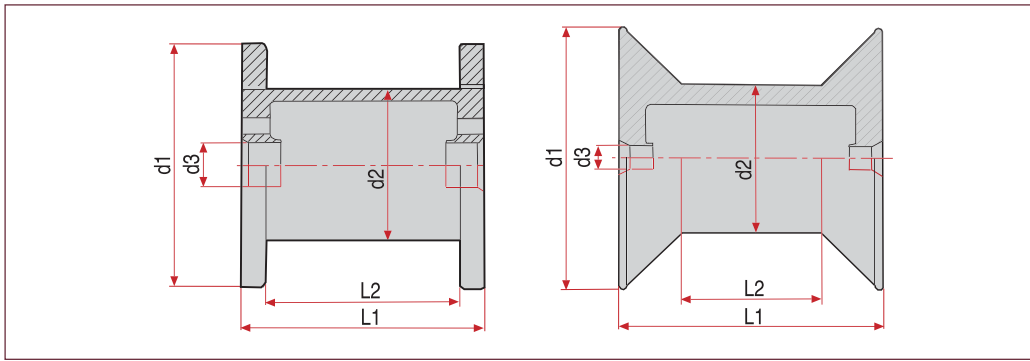




Spulenliste





**Bikonische Spulen
nach DIN EN 60264-5-1**

No.	d1	d2	d3	L1	L2	Fassungsvermögen ca. kg
HKK 76/45	63,0	43,5	16,0	60,0	34,0	0,40
HK 76/45	63,5	44,0	8,0	86,0	60,0	0,60
HK 76/45	63,5	44,0	16,0	86,0	60,0	0,60
HK 80/45/8	80,0	55,0	8,0	100,0	70,0	0,80
HK 80/45/11	80,0	55,0	11,0	100,0	70,0	0,80
HK 80/45/16	80,0	55,0	16,0	100,0	70,0	0,80
HKV 100/45	100,0	56,0	16,0	100,0	49,0	1,20
HK 100/59-160	100,0	75,0	59,0	160,0	91,0	2,00
HKV 125/45	125,0	71,0	16,0	125,0	65,0	3,00
HK 130/81-176	130,0	99,0	81,7	176,0	91,0	3,00
HKV 160/45	160,0	90,0	22,0	160,0	85,0	7,50

**Zylindrische
Sonderspulen**

MF 40	40,0	25,0	8,0	90,0	70,0	0,20
MF 50	50,0	31,5	8,0	90,0	70,0	0,30
F 221	74,0	62,0	11,0	79,0	93,0	0,30
F 225	80,0	58,0	11,0	100,0	84,4	0,80
HK 76	63,4	44,0	16,0	86,3	76,0	0,45
S 100	100,0	80,0	64,5	150,0	135,0	1,80
P 3	130,0	80,0	20,0	110,0	90,0	3,60
P 5	160,0	90,0	20,0	114,0	90,0	5,50
P 10	200,0	90,0	25,0	134,0	110,0	10,00
P 15	249,0	110,0	30,0	140,0	110,0	17,00
B 10/17 glatt	165,0	95,0	17,0	103,0	88,0	5,60
B 10/17 vertieft	165,0	95,0	17,0	103,0	88,0	5,60
B 10/47	165,0	95,0	47,0	103,0	88,0	5,60

**Normspulen nach
DIN 60264-2-1**

63	63,0	40,0	11,0	63,0	49,0	0,30
80	80,0	50,0	16,0	80,0	64,0	1,00
100	100,0	63,0	16,0	100,0	80,0	2,00
125	125,0	80,0	16,0	125,0	100,0	3,00
160	160,0	100,0	22,0	160,0	128,0	7,50
200	200,0	125,0	22,0	200,0	160,0	15,00
250	250,0	160,0	22,0	200,0	160,0	22,00
355	355,0	224,0	36,0	200,0	160,0	40,00
500	500,0	315,0	36,0	250,0	180,0	75,00
500	500,0	315,0	127,0	350,0	280,0	150,00

Hoch-Lang Spulen

250/400 (PT 45)	250,0	200,0	100,0	400,0	335,0	45,00
315/500 (PT 45)	315,0	200,0	100,0	500,0	425,0	90,00

d1 = Flanschdurchmesser
d2 = Kerndurchmesser
d3 = Bohrung
L1 = Gesamtbreite
L2 = Spulbreite



J. G. DAHMEN & CO.
GmbH & Co. KG • Präzisionsdrähte
Karl-Arnold-Straße 73 • D-58644 Iserlohn
Tel +49 2371 9580-0
Fax +49 2371 9580-58
E-Mail: verkauf@dahmen-draht.de
Internet: www.dahmen-draht.de